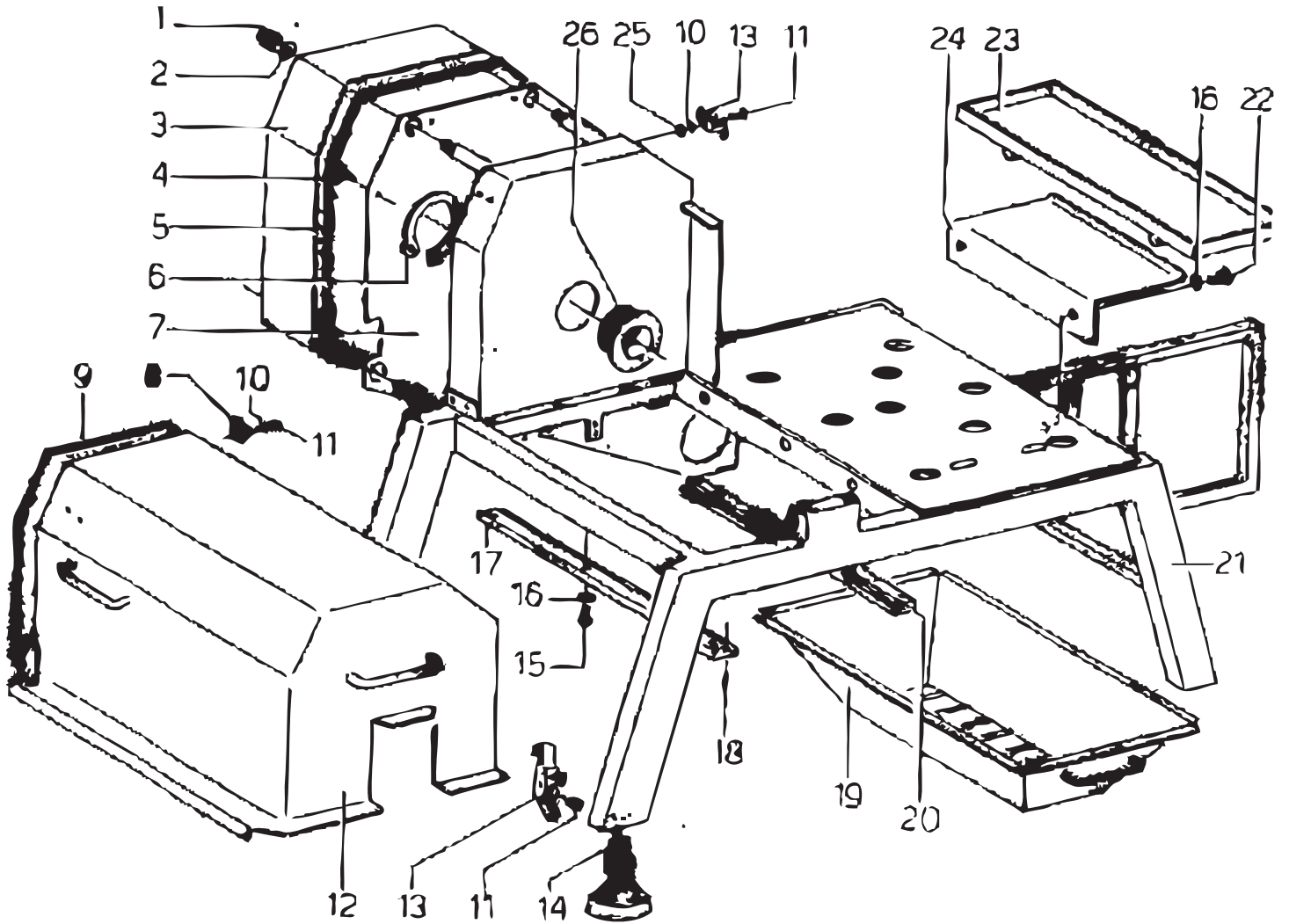


Parts Breakdown

Model GR-IT-1500-CR1200 47931

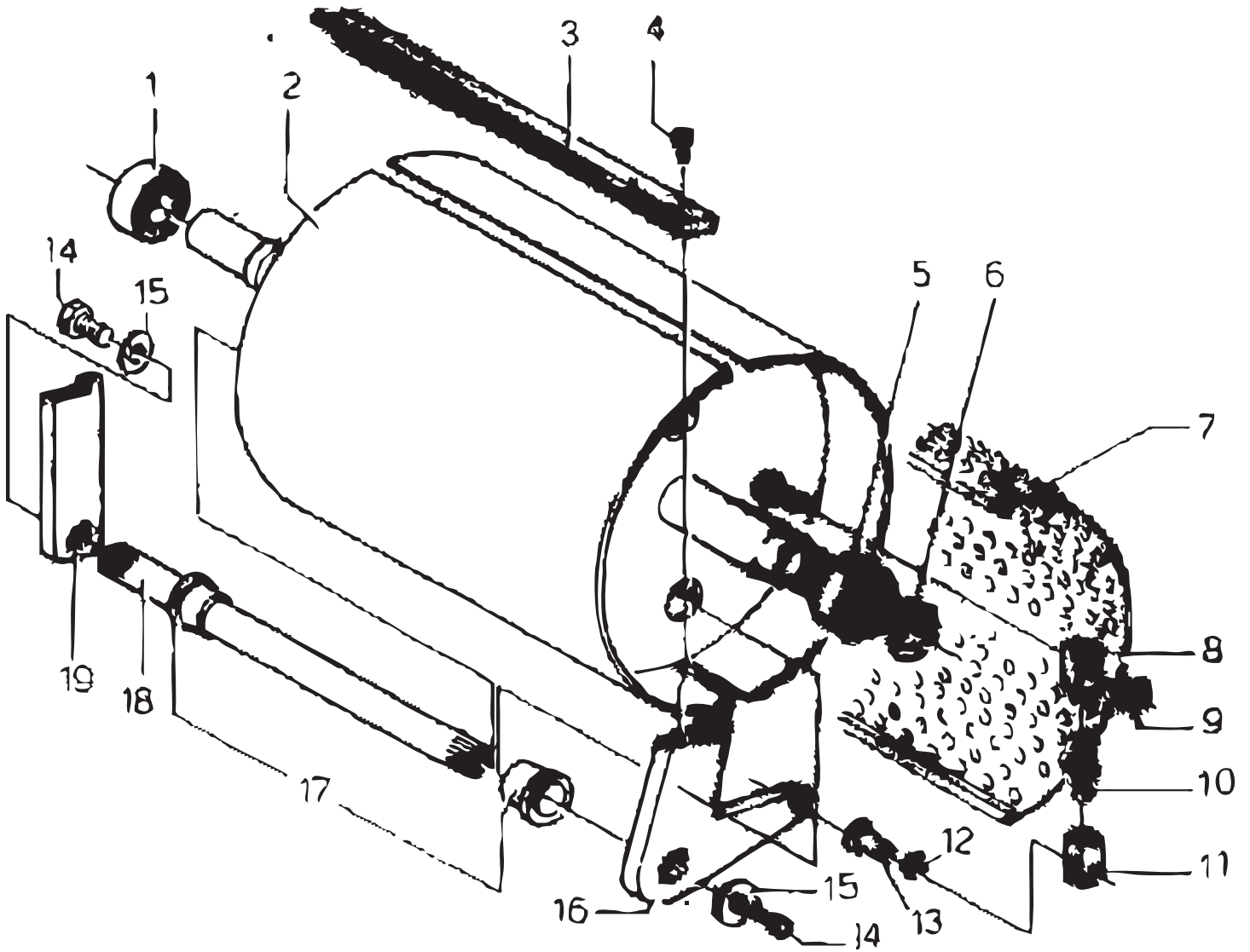
Base Unit



Parts Breakdown

Model GR-IT-1500-CR1200 47931

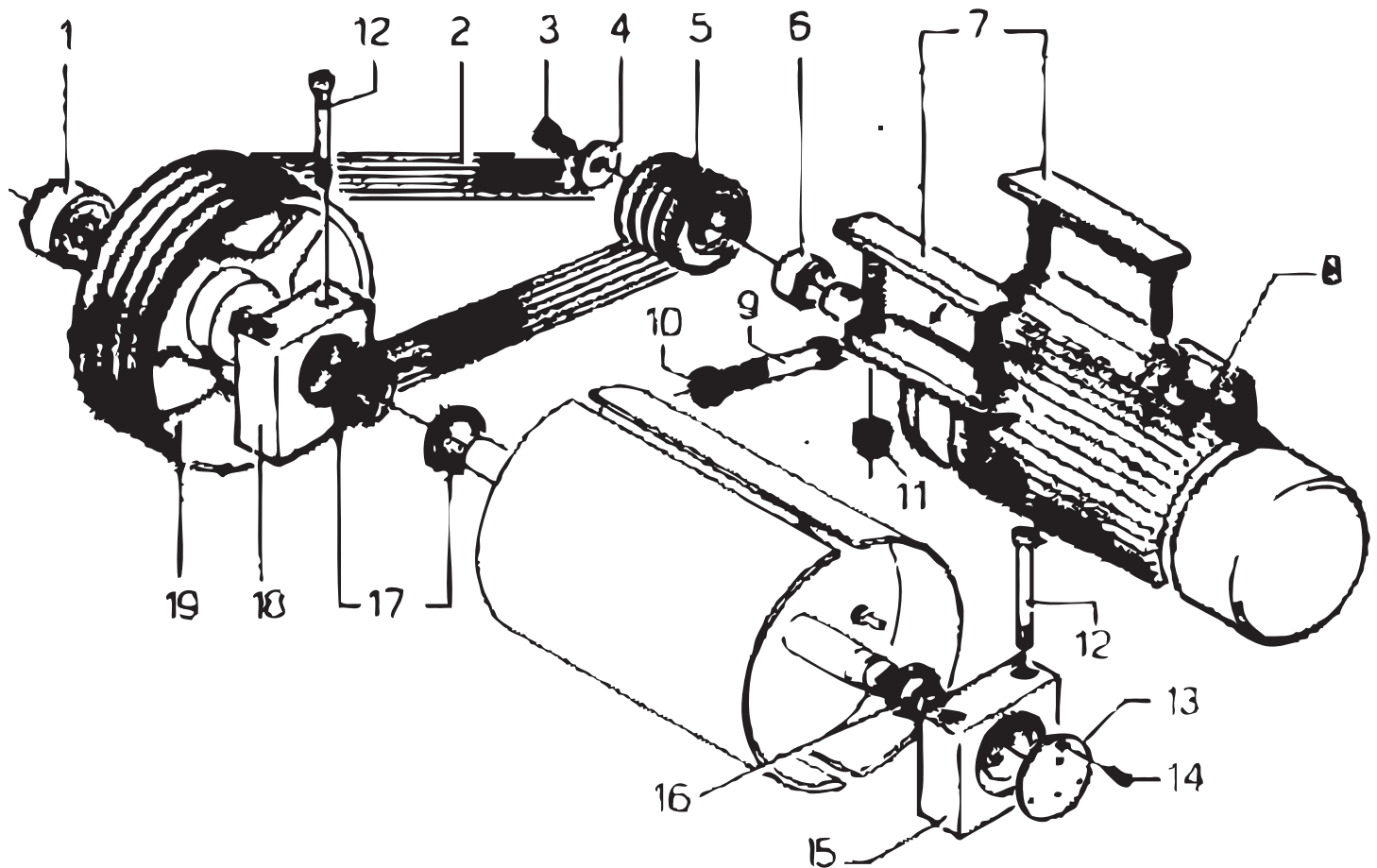
Drum Unit



Parts Breakdown

Model GR-IT-1500-CR1200 47931

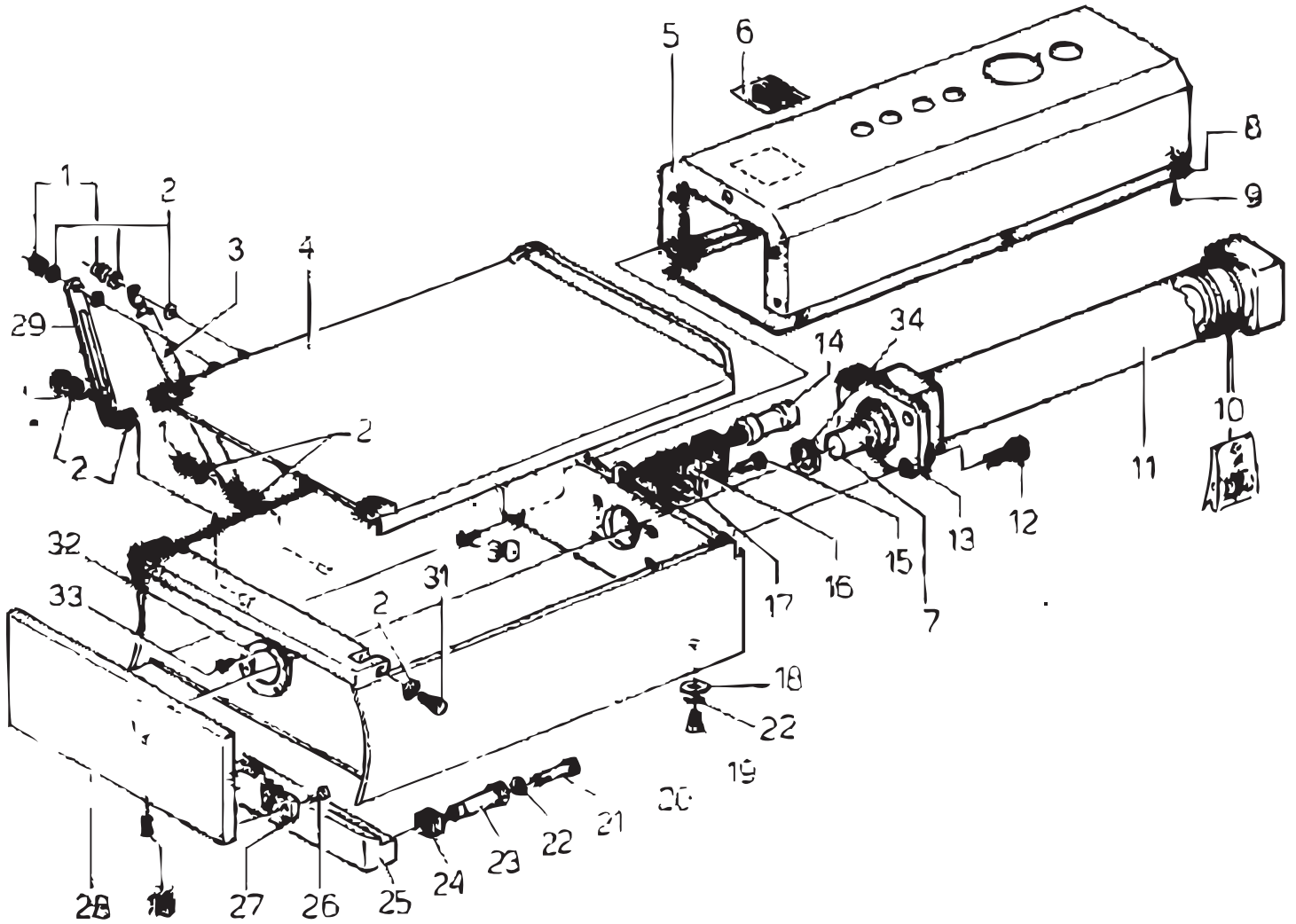
Drum Driving Unit



Parts Breakdown

Model GR-IT-1500-CR1200 47931

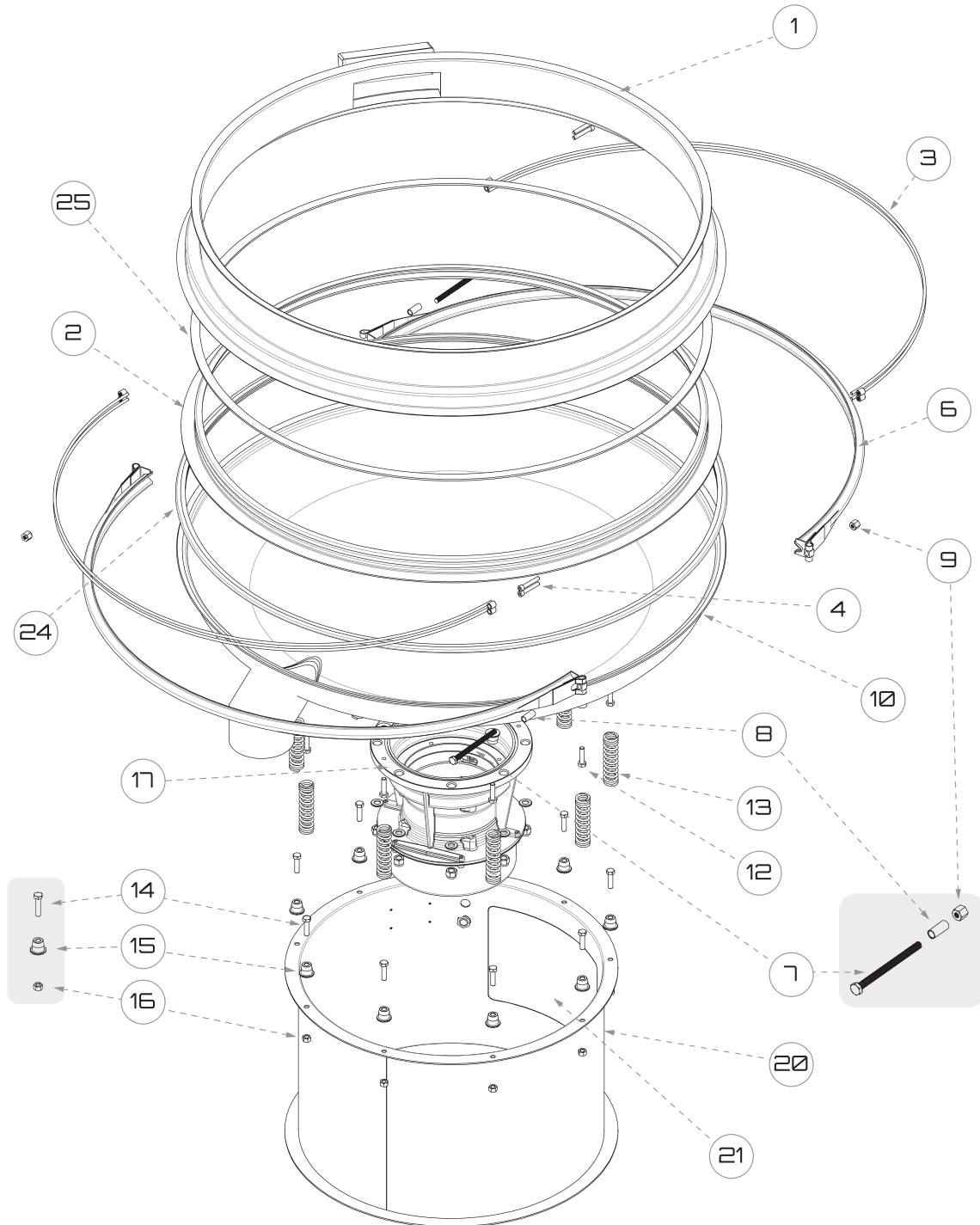
Loading Hopper Unit



Parts Breakdown

Model GR-IT-1500-CR1200 47931

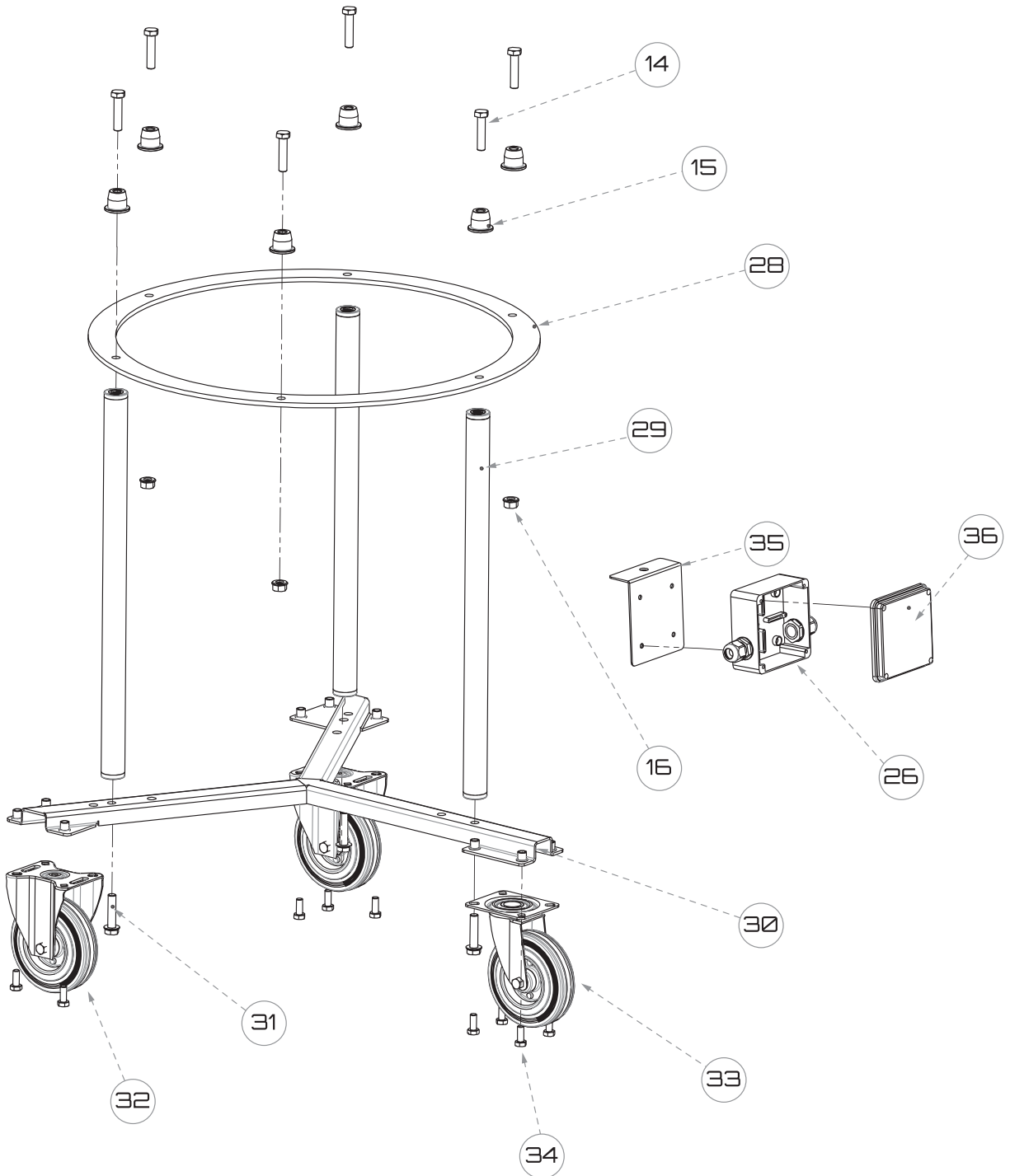
Vibrating Unit



Parts Breakdown

Model GR-IT-1500-CR1200 47931

Vibrating Unit Trolley





Parts Breakdown

Model GR-IT-1500-CR1200 47931

Base Unit

Item No.	Description	Position	Item No.	Description	Position	Item No.	Description	Position
AJ706	Blind Nut M10 for 47931	1	AJ717	Removeable Casing for 47931	12	AJ728	Rail for 47931	20
AJ707	Flat Washer D.10.5 for 47931	2	AJ718	Removable Casing for 47931	12	AJ729	Rail for 47931	20
AJ708	Belt Casing for 47931	3	AJ719	Protex Fastener for 47931	13	AJ730	Bedplate for 47931	21
AJ709	Cheese-Headed Socket Head Screw M5x16 for 47931	4	AJ720	Stainless Steel Anti-Slip Articulated Foot for 47931	14	AJ731	Bedplate for 47931	21
AJ710	Gasket for 47931	5	AJ721	Hex. Head Screw M8x20 for 47931	15	AJ732	Hex. Head Screw M6x10 for 47931	22
AJ711	Retaining Ring for Shaft D.80 for 47931	6	AJ722	Elastic Washer A 6.4 for 47931	16	AJ733	Collecting Tank for 47931	23
AJ712	Cover for 47931	7	AJ723	Rail for 47931	17	AJ734	Collecting Tank for 47931	23
AJ713	Protex Stop for 47931	8	AJ724	Rail for 47931	17	AJ735	Tank Support for 47931	24
AJ714	Gasket for 47931	9	AJ725	Hex. Sock. Headless Screw M8x162 for 47931	18	AJ736	Self-Locking Nut M4 for 47931	25
AJ715	Flat Washer D.4.3 for 47931	10	AJ726	Discharging Hopper for 47931	19	AJ737	Wall Ring for 47931	26
AJ716	Cross Head Screw M4x10 for 47931	11	AJ727	Discharging Hopper for 47931	19			

Drum Unit

Item No.	Description	Position	Item No.	Description	Position	Item No.	Description	Position
AJ738	Bearing 100x45x36 for 47931	1	AJ746	Toothed Belt for 47931	7	AJ754	Hex. Head Screw M8x20 for 47931	14
AJ739	Drum for 47931	2	AJ747	Toothed Belt for 47931	7	AJ755	Washer for 47931	15
AJ740	Drum for 47931	2	AJ748	LH Fork M18x1.5 for 47931	8	AJ756	Front Lever for 47931	16
AJ741	Strip for 47931	3	AJ749	Retaining Ring for Shaft D.15 for 47931	9	AJ757	Bushing for 47931	17
AJ742	Strip for 47931	3	AJ750	Tie Rod for 47931	10	AJ758	Shaft for 47931	18
AJ743	Cheese-Headed Socket Head Screw M8x20 for 47931	4	AJ751	RH Fork M18x1.5 for 47931	11	AJ759	Shaft for 47931	18
AJ744	Bearing 85x45x23 for 47931	5	AJ752	Retaining Ring for Shaft D.12 for 47931	12	AJ760	Rear Lever for 47931	19
AJ745	Retaining Ring for Shaft D.45 for 47931	6	AJ753	Pin for 47931	13			

Drum Driving Unit

Item No.	Description	Position	Item No.	Description	Position	Item No.	Description	Position
AJ761	Ring Block Locking Set for 47931	1	AJ768	Motor Fastening Strip for 47931	7	AJ775	Flat Head Countersunk Socket Cap Screw M5x10 for 47931	14
AJ762	V-Belts for 47931	2	AJ769	Motor Sew HP20 for 47931	8	AJ776	Bearing Support for 47931	15
AJ763	Hex. Head Screw M16x40 for 47931	3	AJ770	Hex. Head Screw M14x70 for 47931	9	AJ777	Bushing for 47931	16
AJ764	Washer for 47931	4	AJ771	Nut EW M14 for 47931	10	AJ778	Retaining Ring for Hole for 47931	17
AJ765	4-Groove Pulley B D.112 for 47931	5	AJ772	Self-Locking Nut EM M14 for 47931	11	AJ779	Bearing Support for 47931	18
AJ766	Spacer for 47931	6	AJ773	Cheese-Headed Socket Head Screw M14x130 for 47931	12	AJ780	4-Groove Pulley B D.450 for 47931	19
AJ767	Motor Fastening Strip for 47931	7	AJ774	Lid for 47931	13			

Parts Breakdown

Model GR-IT-1500-CR1200 47931

Loading Hopper Unit

Item No.	Description	Position	Item No.	Description	Position	Item No.	Description	Position
AJ781	Self-Locking Nut M8 for 47931	1	AJ793	Flange for Stem for 47931	13	AJ805	Blade for 47931	25
AJ782	Flat Washer D.8.4 for 47931	2	AJ794	ISO 6432 Metalwork Cylinder D.25-C-50 for 47931	14	AJ806	Blade for 47931	25
AJ783	Gas Spring Inox 400N C.100 for 47931	3	AJ743	Cheese-Headed Socket Head Screw M8x20 for 47931	15	AJ807	Screw M6x40 for 47931	26
AJ784	Lid for 47931	4	AJ795	Cylinder Fastening for 47931	16	AJ808	Slide for 47931	27
AJ785	Lid for 47931	4	AJ796	Pin for 47931	17	AJ809	Pressure Plate for 47931	28
AJ786	Cylinder Cover for 47931	5	AJ797	Washer for 47931	18	AJ810	Pressure Plate for 47931	28
AJ787	Pictogram for 47931	6	AJ798	Hex. Head Screw M10x20 for 47931	19	AJ811	Hopper Lid Stop for 47931	29
AJ788	Cylinder Stem D.32 for 47931	7	AJ799	Hopper for 47931	20	AJ812	Hex. Head Screw M8x30 for 47931	30
AJ789	Cover for 47931	8	AJ800	Hopper for 47931	20	AJ813	Hex. Head Screw M8x50 for 47931	31
AJ716	Cross Head Screw M4x10 for 47931	9	AJ801	Hex. Head Screw M10x100 for 47931	21	AJ814	Gasket Seal for 47931	32
AJ790	Cylinder Seal Kit D.I00-32 for 47931	10	AJ802	Elastic Washer A 10.5 for 47931	22	AJ815	Flat Head Countersunk Socket Cap Screw M4x10 for 47931	33
AJ791	Cylinder for 47931	11	AJ803	Eccentric Pin for 47931	23	AJ816	Scraper Seal for 47931	34
AJ792	Cheese-Headed Socket Head Screw M12x50 for 47931	12	AJ804	Slide for 47931	24			

Vibrating Unit

Item No.	Description	Position	Item No.	Description	Position	Item No.	Description	Position
AJ872	Retaining Band for 47931	1	AJ877	Tightening Clamp for 47931	7 - 9	AJ882	Vibrator Motor for 47931	17
AJ873	Double Groove Screen Holder Frame for 47931	2	AJ878	Base Disk for 47931	10	AJ883	Trolley for 47931	20
AJ874	Screen Tensioning Rings for 47931	3	AJ879	Hex Head Bolts M10x40 for 47931	12	AJ884	Bedplate Hatch for 47931	21
AJ875	Full Thread Hex Head Screw M8x50 for 47931	4	AJ880	Spring for 47931	13	AJ885	"A" Shape Gasket for 47931	24
AJ876	Locking Ring for 47931	6	AJ881	Complete Lower Spring Guide for 47931	14 - 16	AJ886	Adhesive Flat Gasket for 47931	25

Vibrating Unit Trolley

Item No.	Description	Position	Item No.	Description	Position	Item No.	Description	Position
AJ902	Hex Head Bolts M10x40 for 47931	14, 31	AJ906	Base Ring for 47931	28	AJ910	Castor Wheel Ø125/180 for 47931	33
AJ903	Spring Guide for 47931	15	AJ907	Column for 47931	29	AJ911	Hex Head Bolts M8x25 for 47931	34
AJ904	Nut M10 for 47931	16	AJ908	"Y" Shape Cross-Piece for 47931	30	AJ912	Plate for Junction Box for 47931	35
AJ905	Junction Box Contacts with Cable Glands for 47931	26	AJ909	Fixed Wheel Ø125/180 for 47931	32	AJ913	Lid for Junction Box for 47931	36